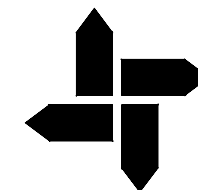
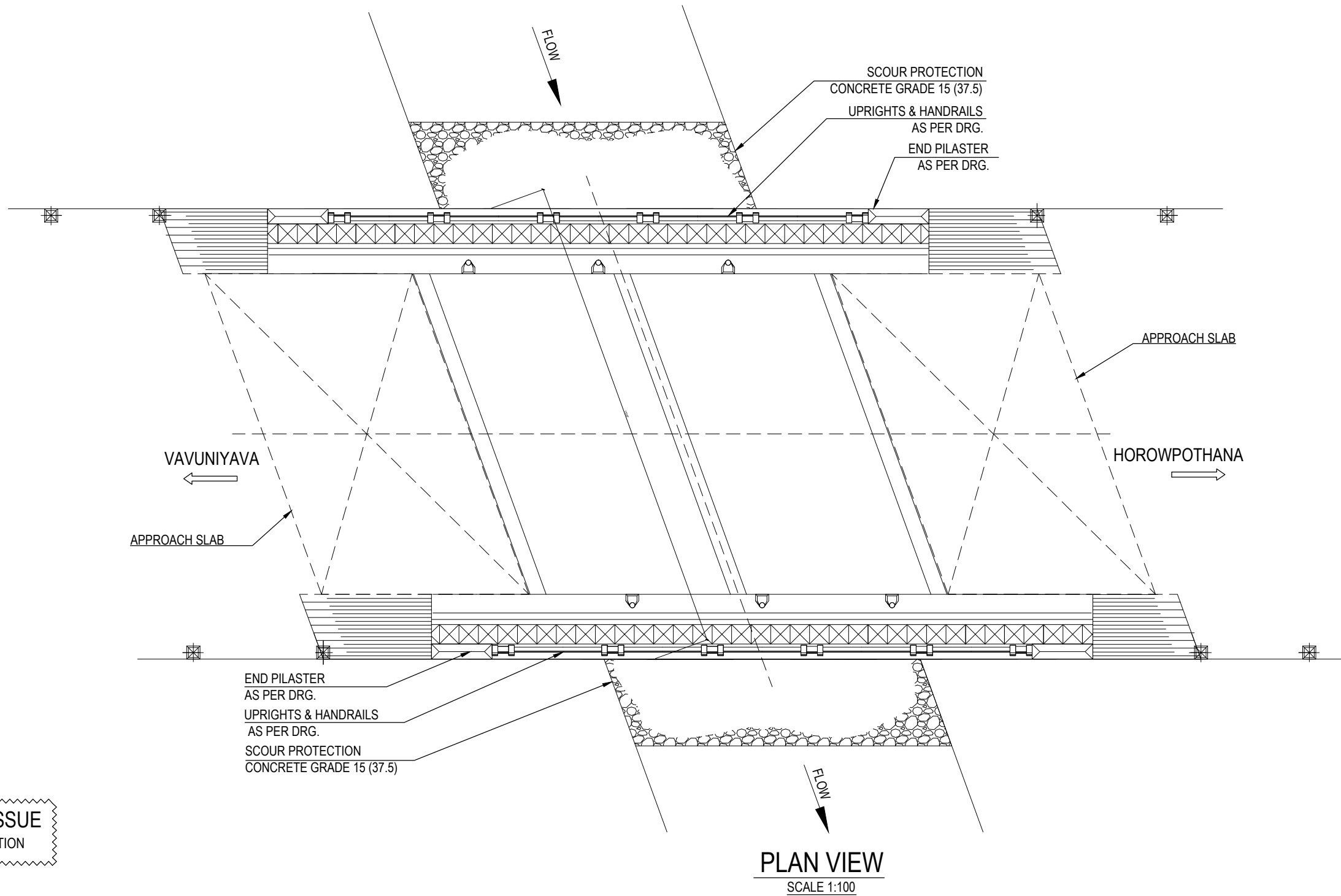


BRIDGE NO : 41/2 KM VAVUNIYA HOROWPATHANA ROAD

MINISTRY OF HIGHWAYS - SRI LANKA
ROAD DEVELOPMENT AUTHORITY



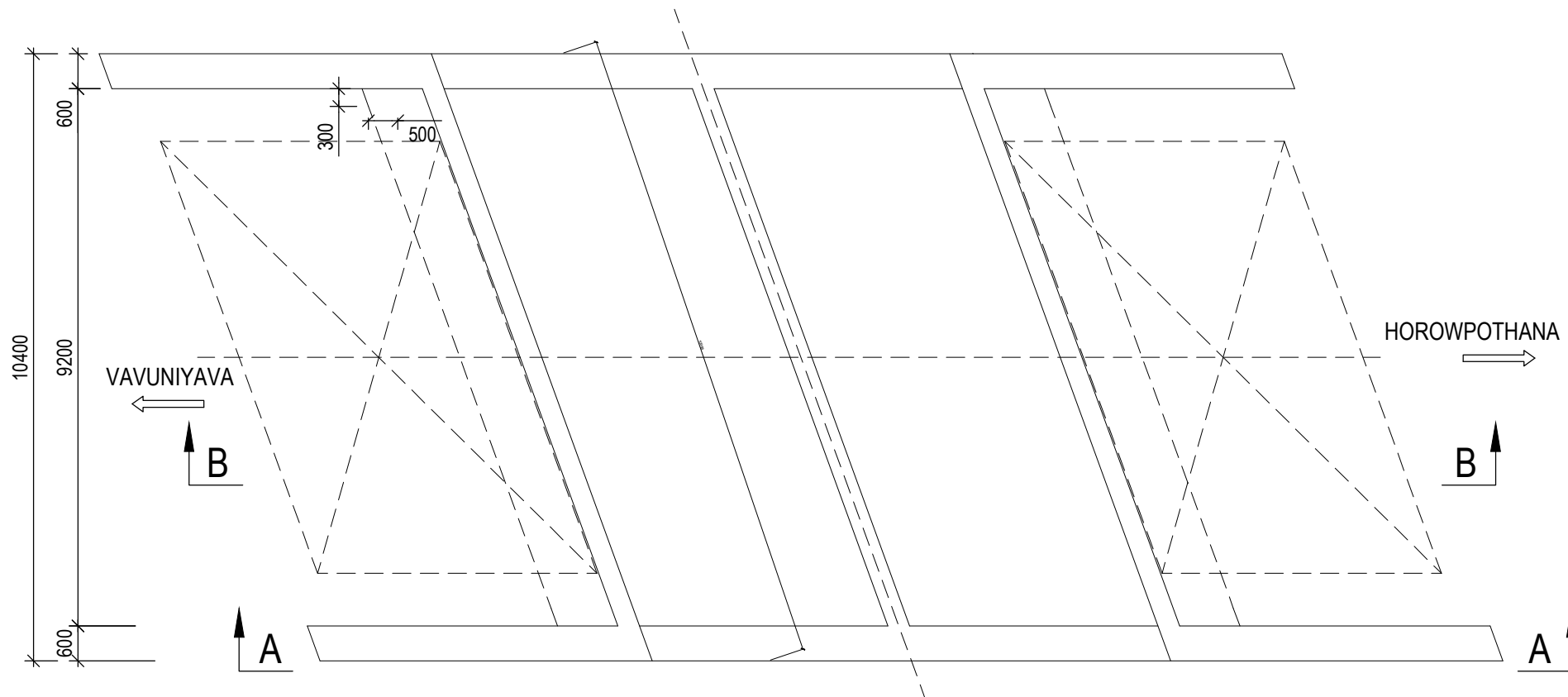
BRIDGE DESIGNS OFFICE
ANURADHAPURA



FOR TENDER ISSUE
NOT FOR CONSTRUCTION

BRIDGE NO : 41/2 KM VAVUNIYA HOROWPATHANA ROAD

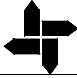
				MINISTRY OF HIGHWAYS - SRI LANKA ROAD DEVELOPMENT AUTHORITY			BRIDGE DESIGNS OFFICE ANURADHAPURA	
				DESIGNED : A.M.C.T.K.ATTANAYAKE	DATE : 2020-JANUARY-14			
				DRAWN : I.W.N.MADUVANTHI		ENGINEER - DESIGNS		
				CHECKED :		PROVINCIAL DIRECTOR N.C.P		
FILE NO		BY	DATE	DRG. NO. : NCP/STR/NEPH/A.PURA/BOX/18/02	02	SHEET 02 OF 12		

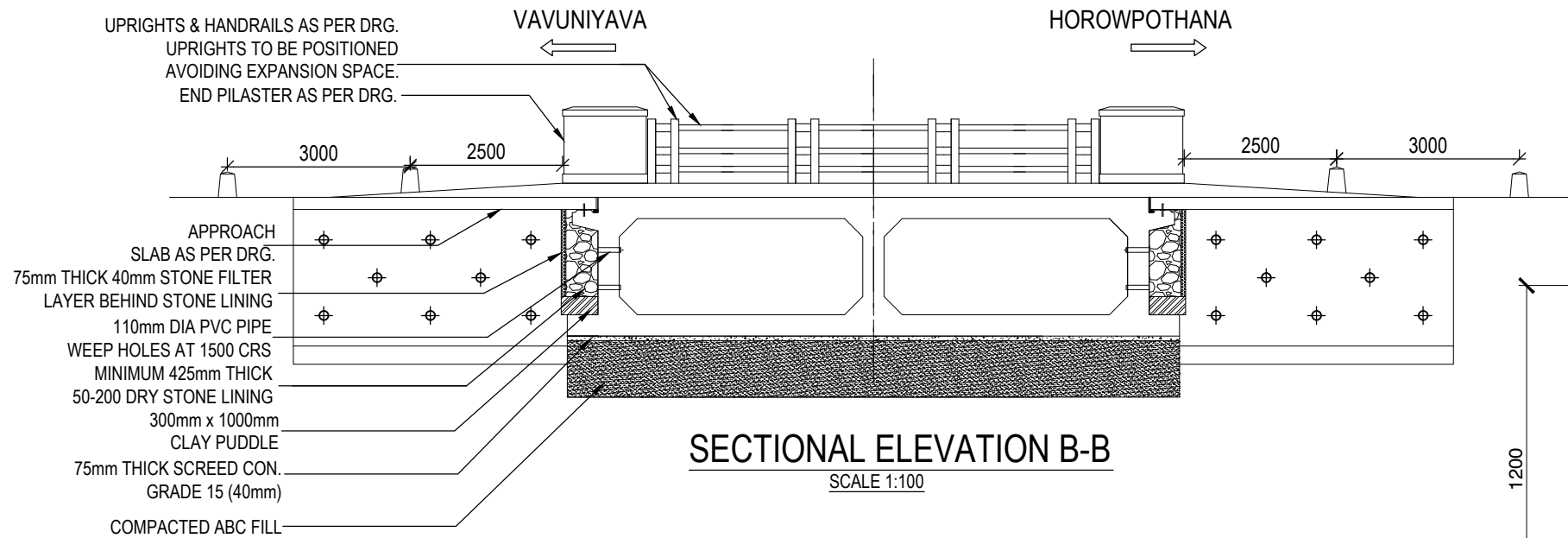


SECTIONAL PLAN
SCALE 1:100

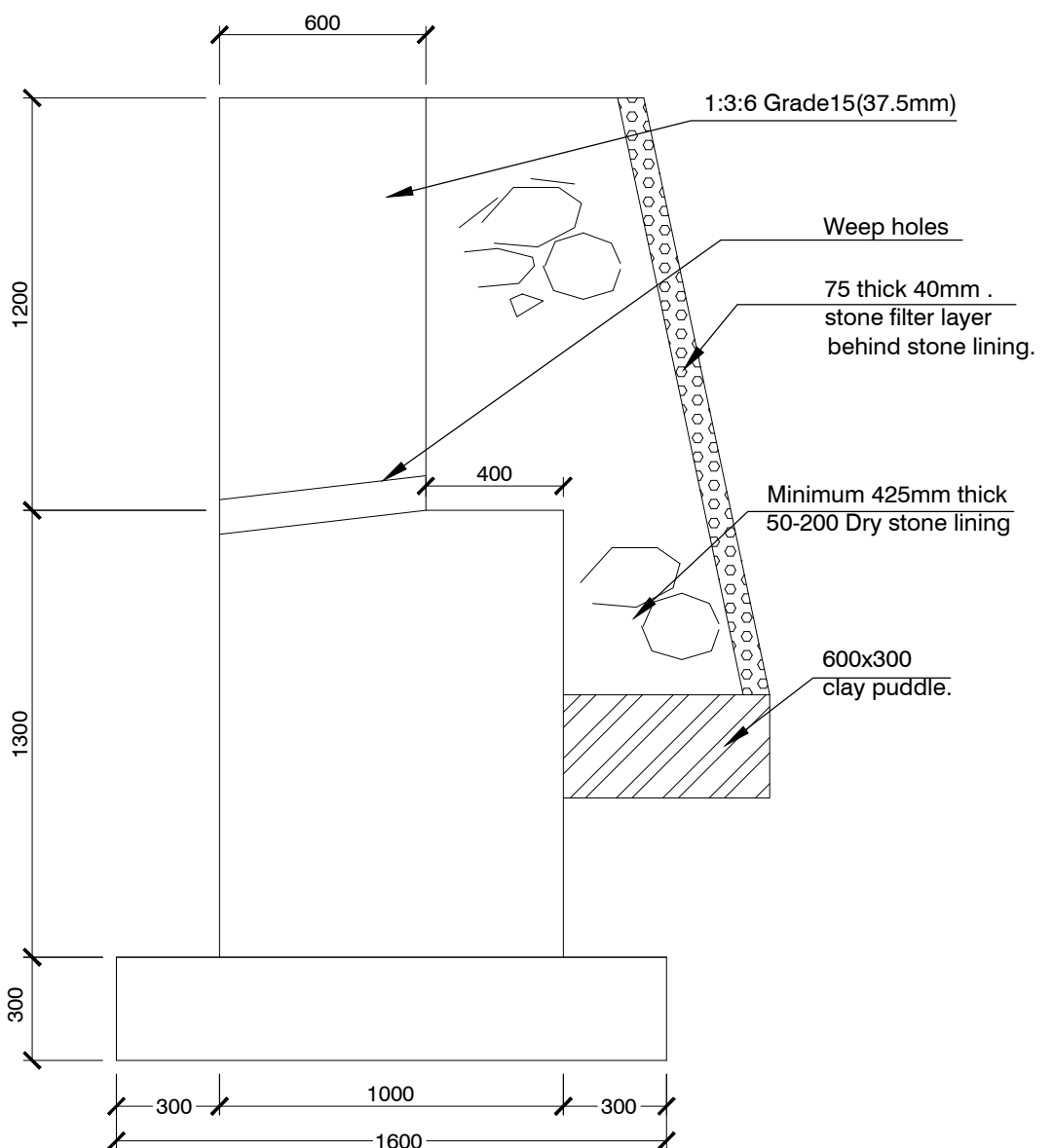
FOR TENDER ISSUE
NOT FOR CONSTRUCTION

BRIDGE NO : 41/2 KM VAVUNIYA HOROWPATHANA ROAD

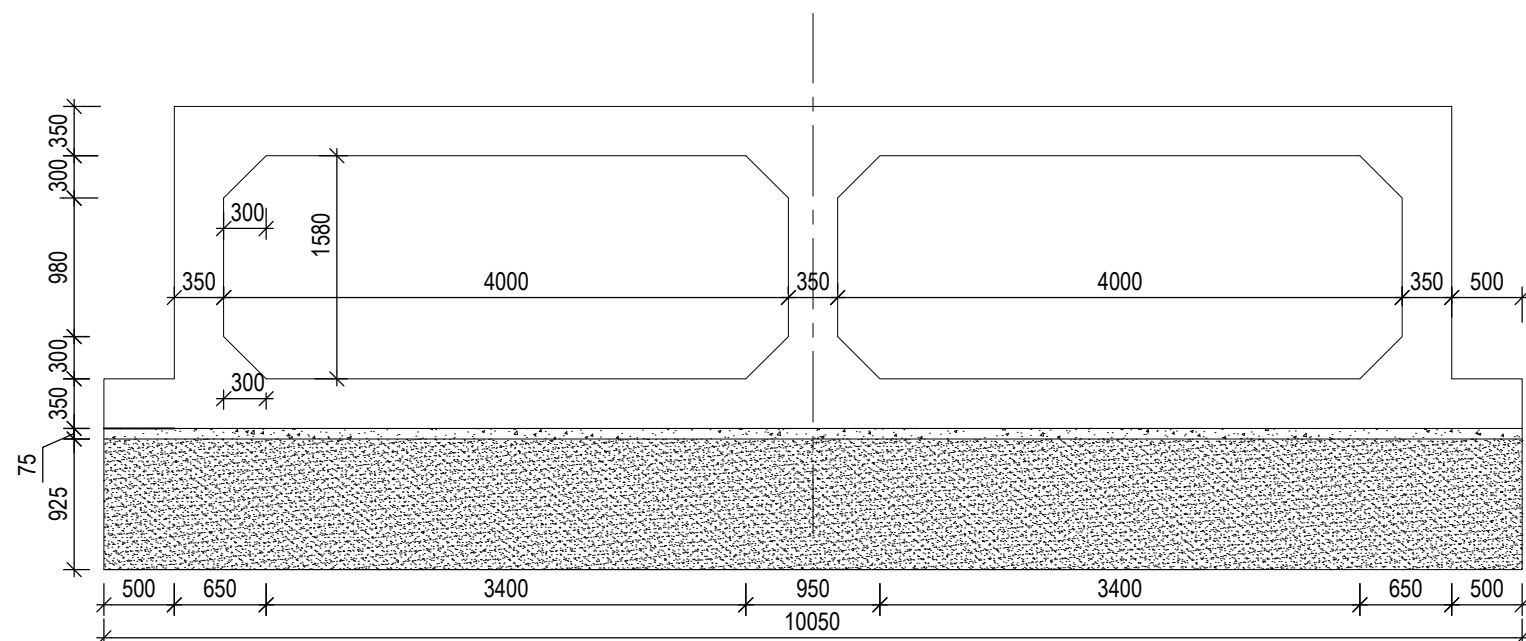
				MINISTRY OF HIGHWAYS - SRI LANKA ROAD DEVELOPMENT AUTHORITY		 BRIDGE DESIGNS OFFICE ANURADHAPURA
				DESIGNED : A.M.C.T.K.ATTANAYAKE	DATE : 2020-JANUARY-14	
				DRAWN : I.W.N.MADUVANTHI		ENGINEER - DESIGNS
				CHECKED :		
FILE NO		BY	DATE	DRG. NO. : NCP/STR/NEPH/A.PURA/BOX/18/02	03	SHEET 03 OF 12
						PROVINCIAL DIRECTOR N.C.P



SECTIONAL ELEVATION B-B
SCALE 1:100



DETAILS OF WING WALL
SCALE 1:20

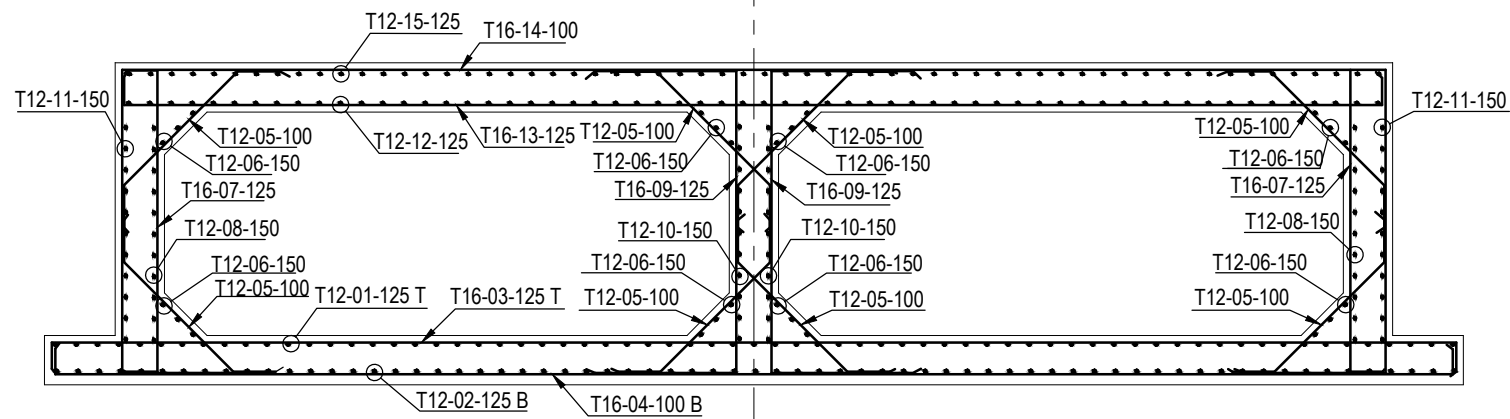


SECTIONAL ELEVATION A-A
SCALE 1:50

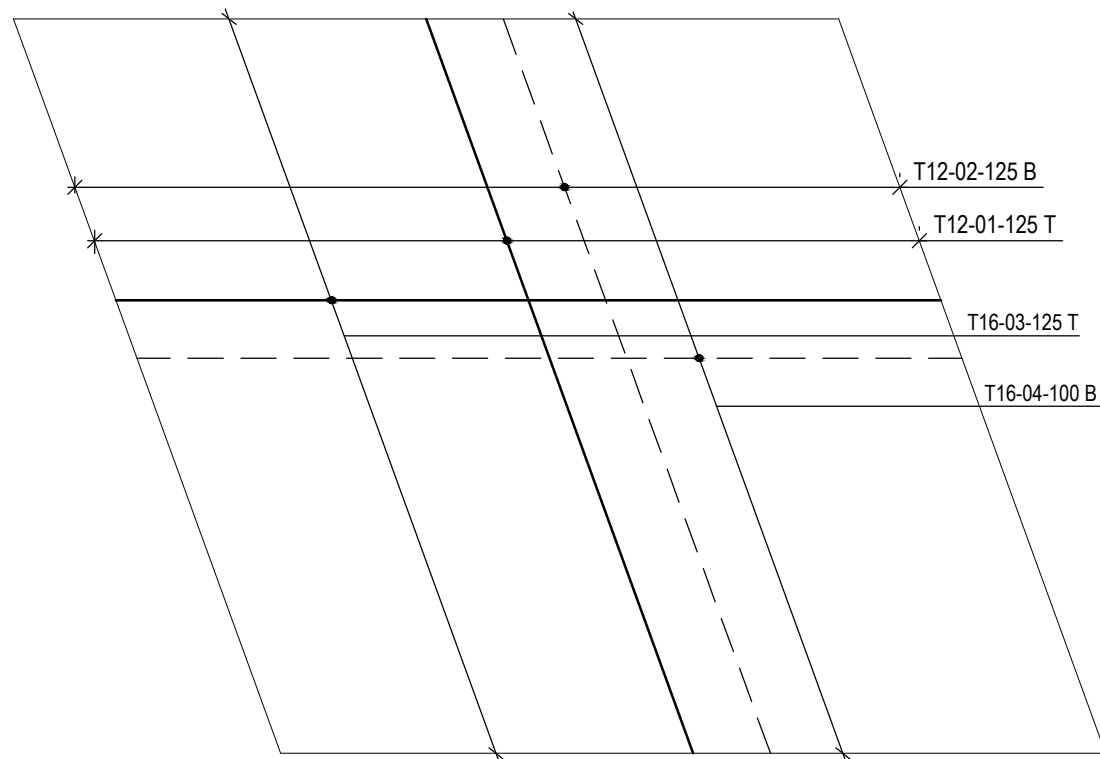
FOR TENDER ISSUE
NOT FOR CONSTRUCTION

BRIDGE NO : 41/2 KM VAVUNIYA HOROWPATHANA ROAD

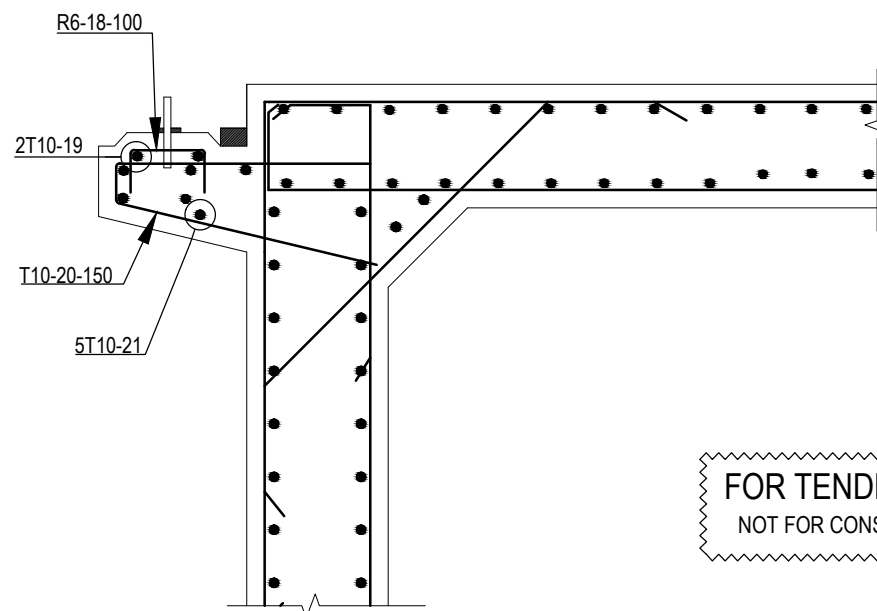
				MINISTRY OF HIGHWAYS - SRI LANKA ROAD DEVELOPMENT AUTHORITY				BRIDGE DESIGNS OFFICE ANURADHAPURA	
				DESIGNED : A.M.C.T.K.ATTANAYAKE		DATE : 2020-JANUARY-14			
				DRAWN : I.W.N.MADUVANTHI					
				CHECKED :		ENGINEER - DESIGNS			
FILE NO		BY	DATE	DRG. NO. : NCP/STR/NEPH/A.PURA/BOX/18/02		04	SHEET 04 OF 12		PROVINCIAL DIRECTOR N.C.P



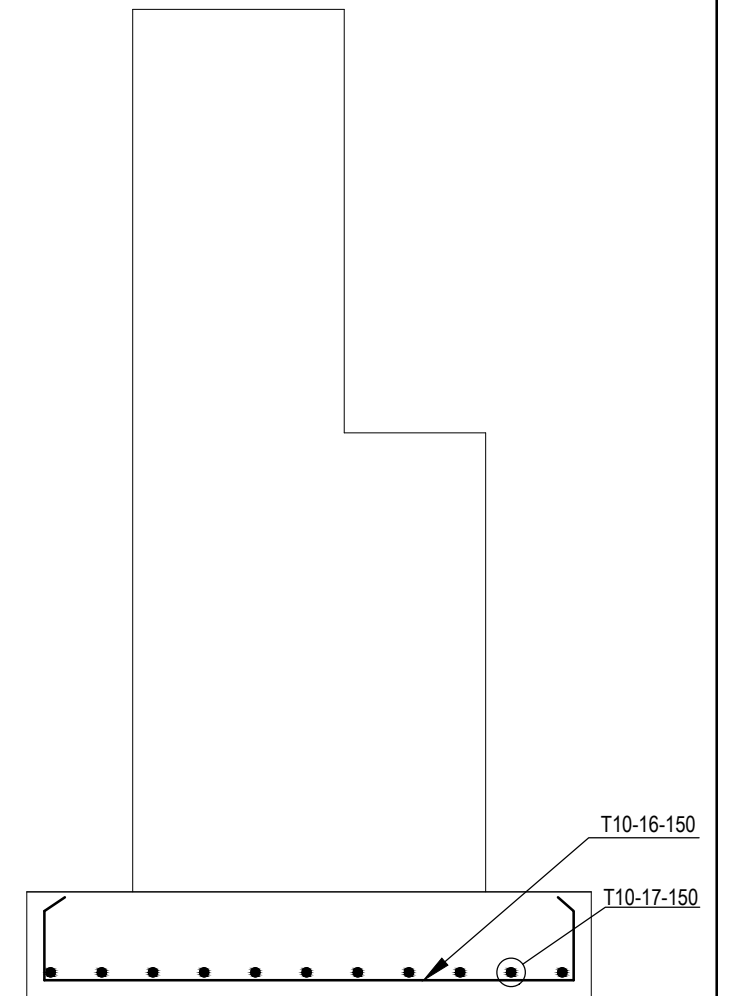
R/F DETAILS OF SECTION B-B
SCALE 1:50



R/F DETAILS OF BASE SLAB
SCALE 1:100



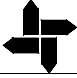
R/F DETAILS OF COBAL
SCALE 1:20

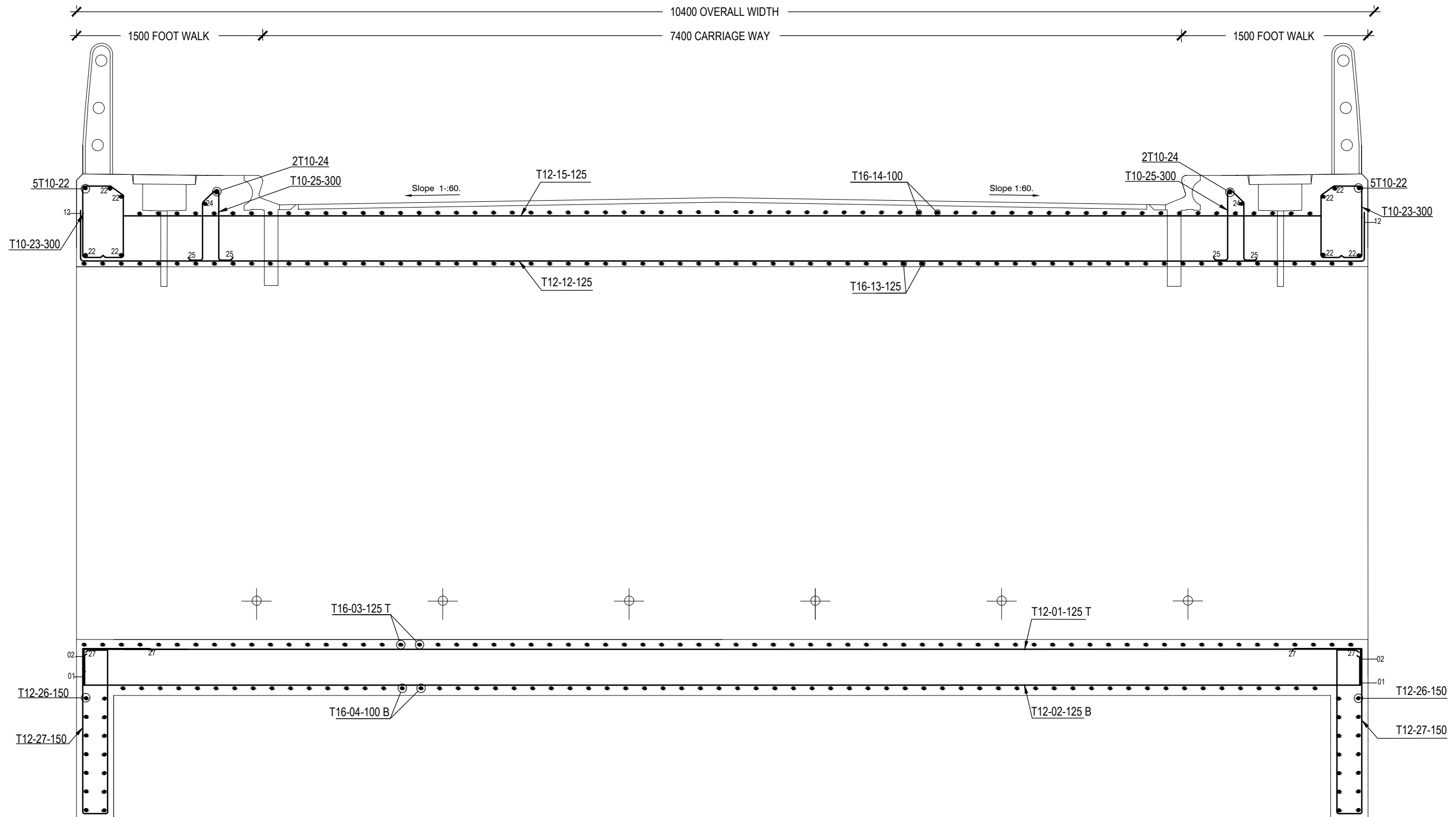


R/F DETAILS OF WING WALL
SCALE 1:20

FOR TENDER ISSUE
NOT FOR CONSTRUCTION

BRIDGE NO : 41/2 KM VAVUNIYA HOROWPATHANA ROAD

				MINISTRY OF HIGHWAYS - SRI LANKA ROAD DEVELOPMENT AUTHORITY		 BRIDGE DESIGNS OFFICE ANURADHAPURA
				DESIGNED : A.M.C.T.K.ATTANAYAKE	DATE : 2020-JANUARY-14	
				DRAWN : I.W.N.MADUVANTHI		ENGINEER - DESIGNS
				CHECKED :		
FILE NO		BY	DATE	DRG. NO. : NCP/STR/NEPH/A.PURA/BOX/18/02	05	SHEET 05 OF 12
						PROVINCIAL DIRECTOR N.C.P

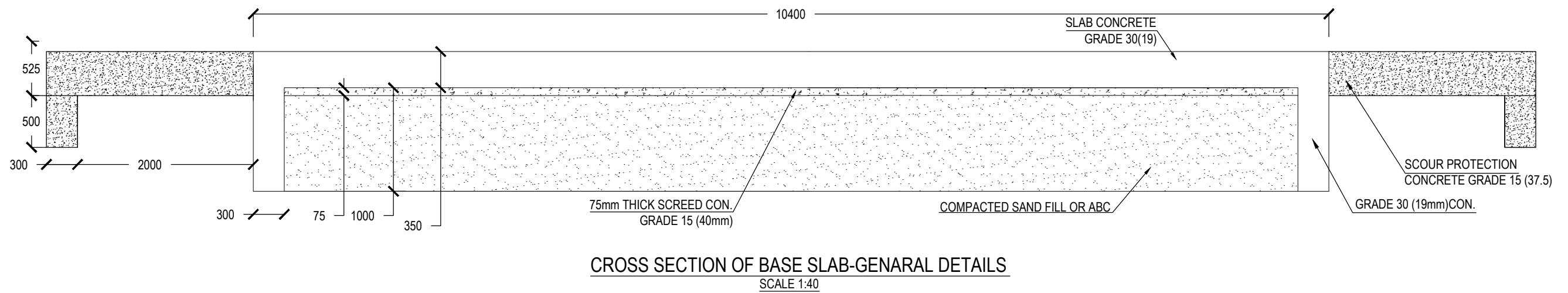
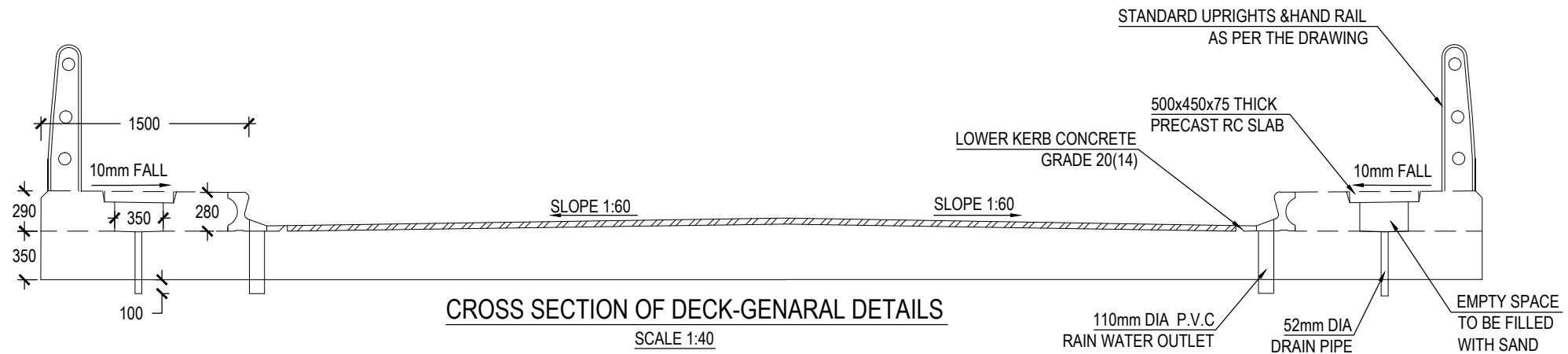


R/F DETAIL SECTION C-C
SCALE 1:30

FOR TENDER ISSUE
NOT FOR CONSTRUCTION

BRIDGE NO : 41/2 KM VAVUNIYA HOROWPATHANA ROAD

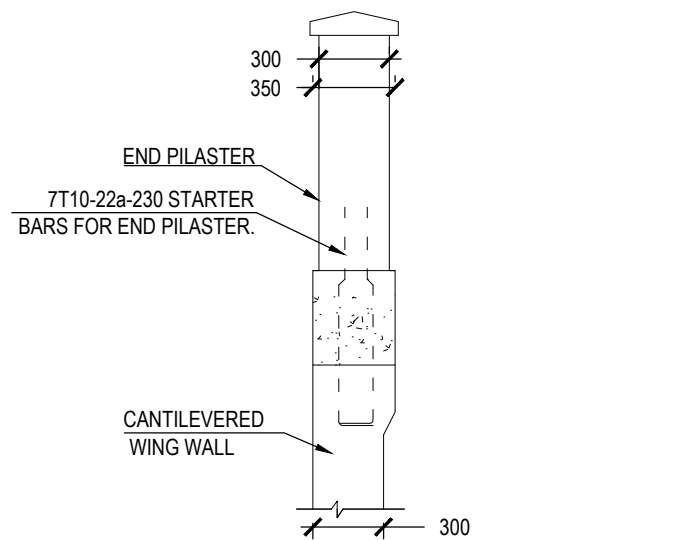
				MINISTRY OF HIGHWAYS - SRI LANKA		BRIDGE DESIGNS OFFICE	
				ROAD DEVELOPMENT AUTHORITY		ANURADHAPURA	
				DESIGNED : A.M.C.T.K.ATTANAYAKE	DATE : 2020-JANUARY-14		
				DRAWN : I.W.N.MADUVANTHI			
				CHECKED :		ENGINEER - DESIGNS	
FILE NO		BY	DATE	DRG. NO. : NCP/STR/NEPH/A.PURA/BOX/18/02	06	SHEET 06 OF 12	PROVINCIAL DIRECTOR N.C.P



FOR TENDER ISSUE
NOT FOR CONSTRUCTION

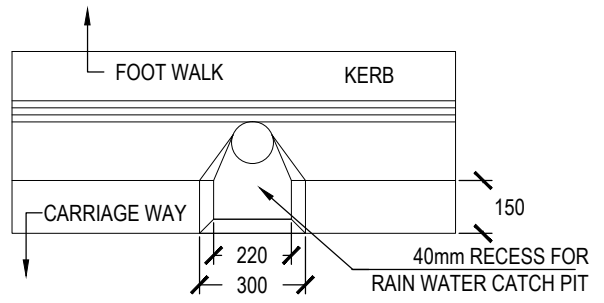
BRIDGE NO : 41/2 KM VAVUNIYA HOROWPATHANA ROAD

				MINISTRY OF HIGHWAYS - SRI LANKA ROAD DEVELOPMENT AUTHORITY				BRIDGE DESIGNS OFFICE ANURADHAPURA	
				DESIGNED : A.M.C.T.K.ATTANAYAKE		DATE : 2020-JANUARY-14			
				DRAWN : I.W.N.MADUVANTHI					
				CHECKED :		ENGINEER - DESIGNS			
FILE NO		BY	DATE	DRG. NO. : NCP/STR/NEPH/A.PURA/BOX/18/02	07	SHEET 07 OF 12		PROVINCIAL DIRECTOR N.C.P	



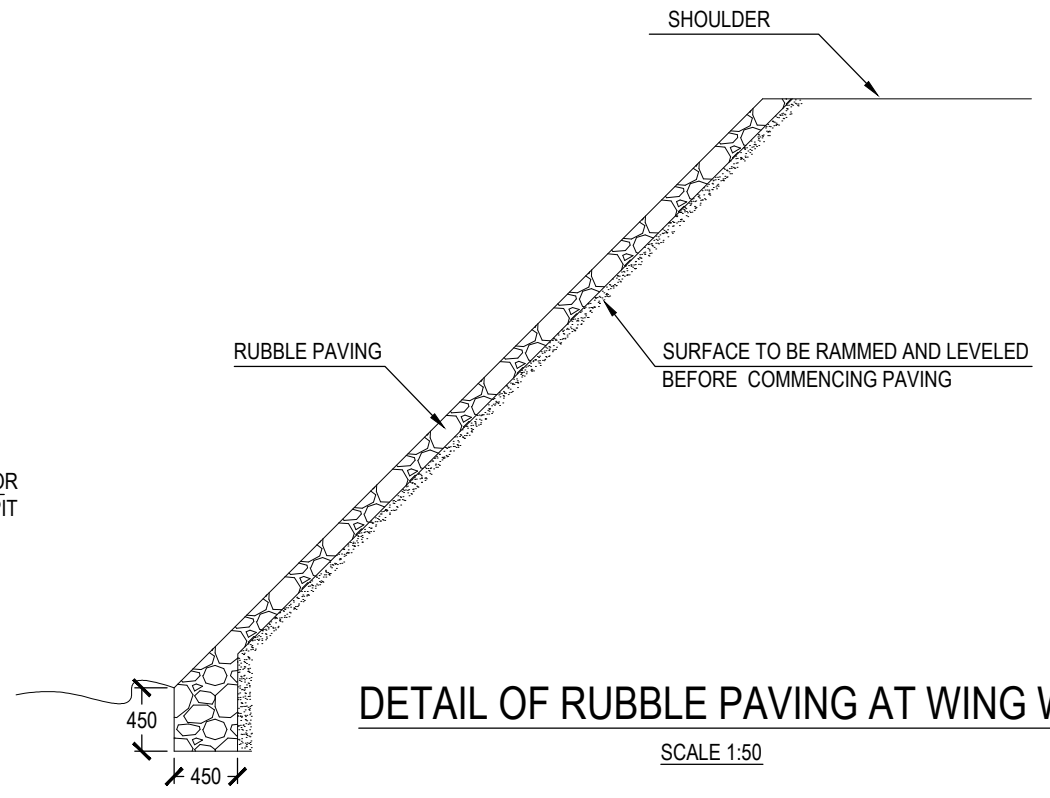
CROSS SECTION OF END PILLASTER

SCALE 1:30



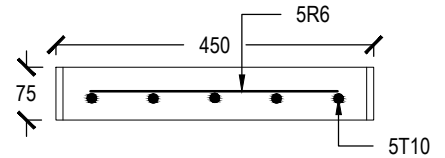
DETAIL OF RAIN WATER CATCH PIT

SCALE 1:20

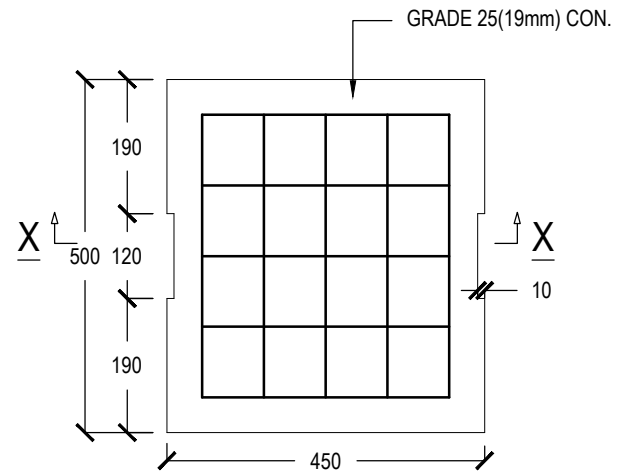


DETAIL OF RUBBLE PAVING AT WING WALL

SCALE 1:50



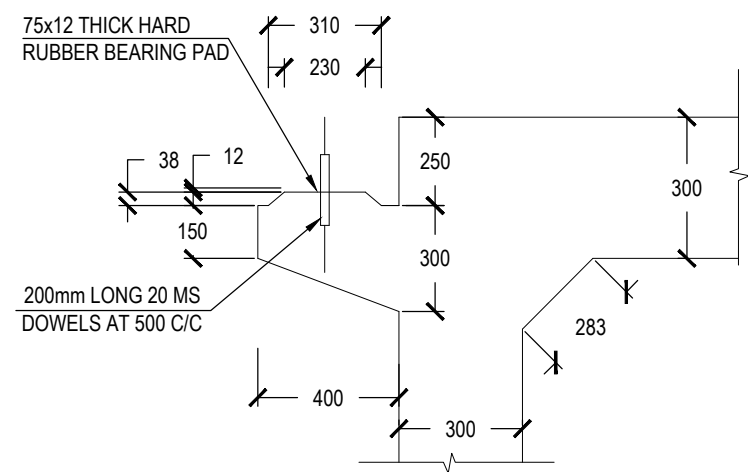
SECTION X-X



PLAN

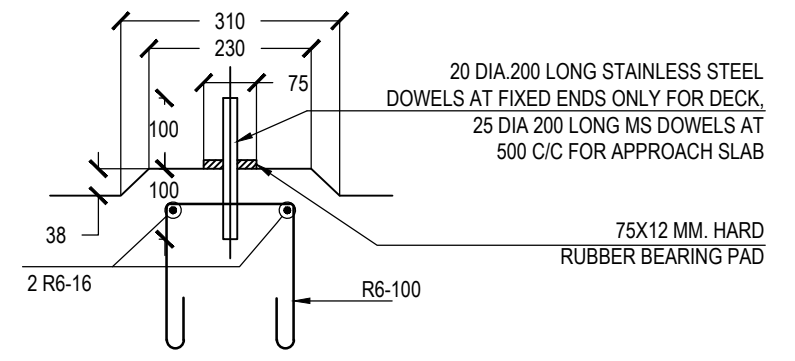
DETAIL OF COVER SLAB

SCALE 1:10



DETAIL OF COBAL FOR APPROACH SLAB

SCALE 1:20



DETAIL OF BEARING SEAT

SCALE - 1:10

FOR TENDER ISSUE
NOT FOR CONSTRUCTION

BRIDGE NO : 41/2 KM VAVUNIYA HOROWPATHANA ROAD

MINISTRY OF HIGHWAYS - SRI LANKA
ROAD DEVELOPMENT AUTHORITY

BRIDGE DESIGNS OFFICE
ANURADHAPURA

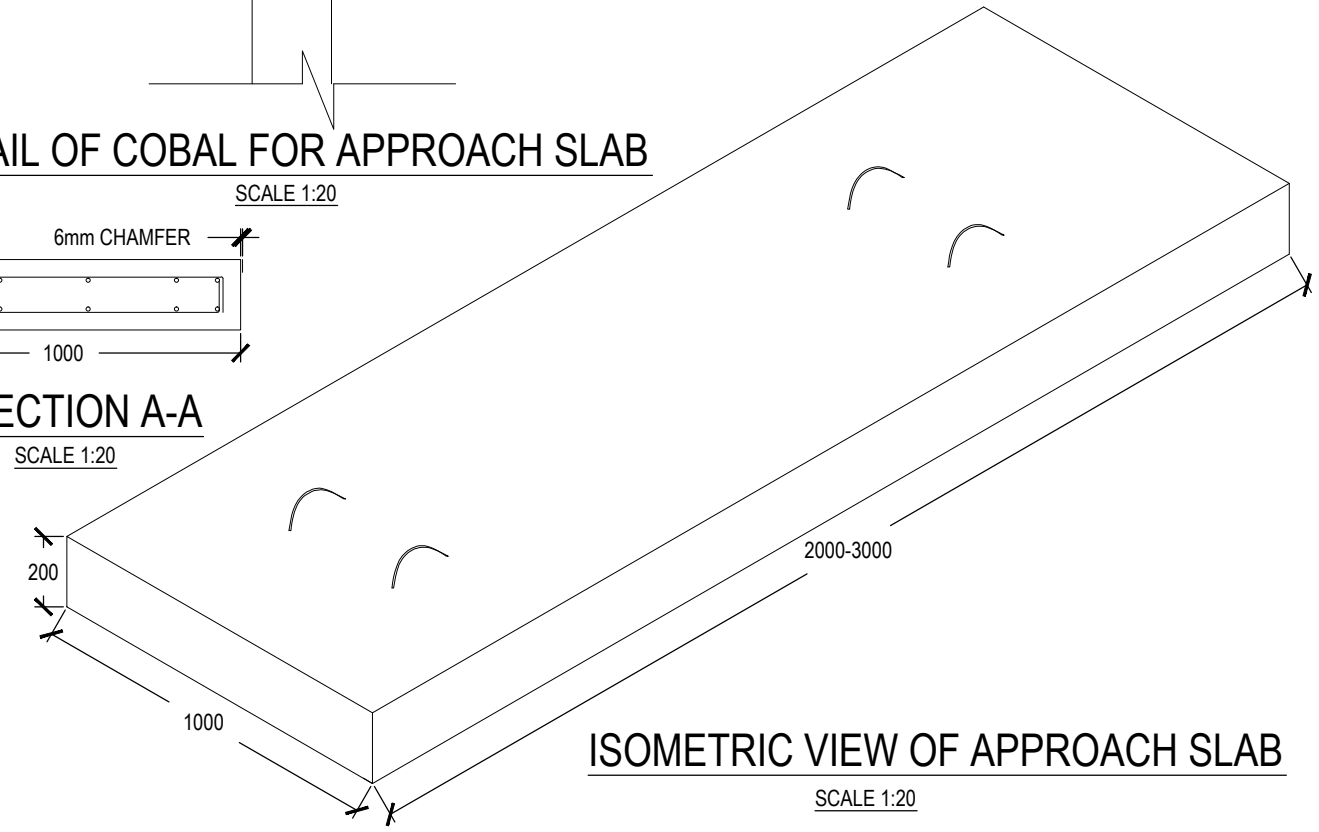
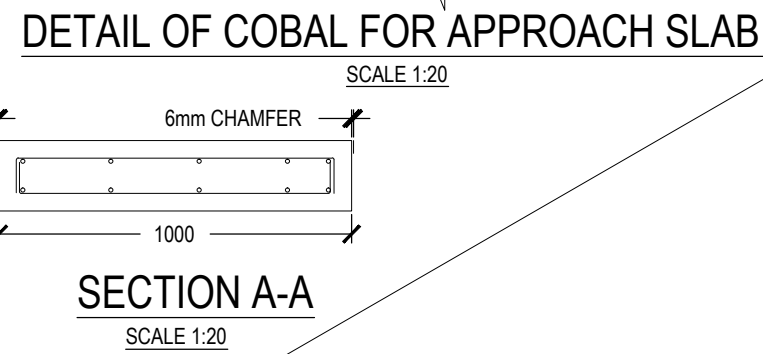
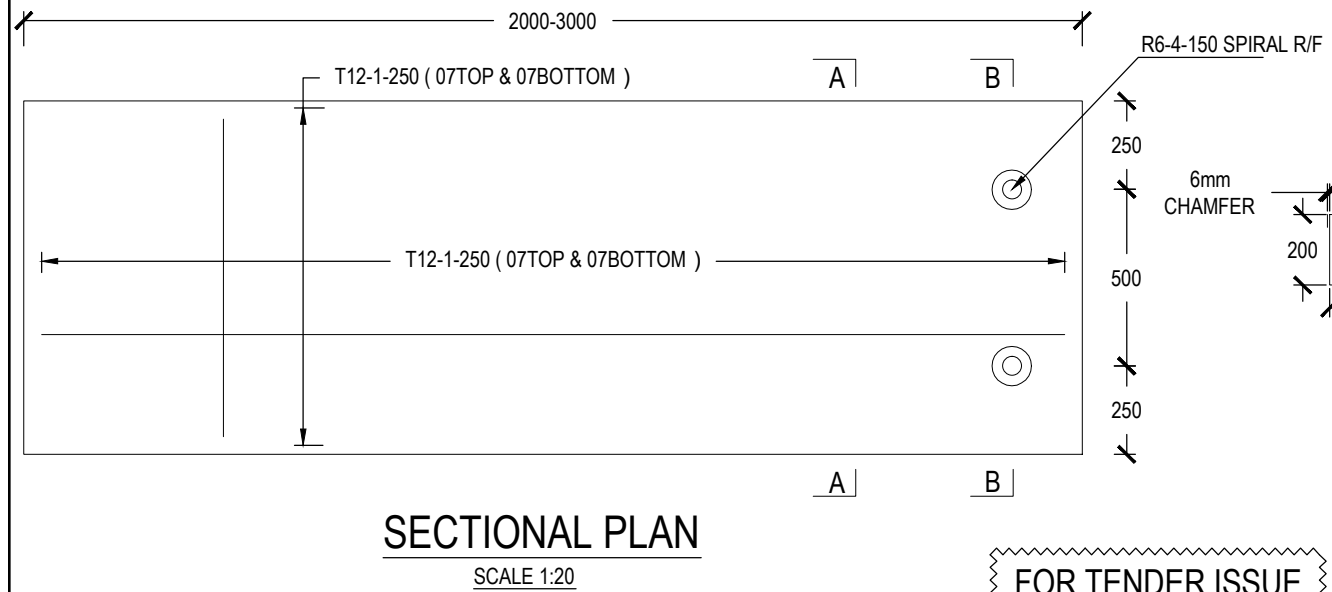
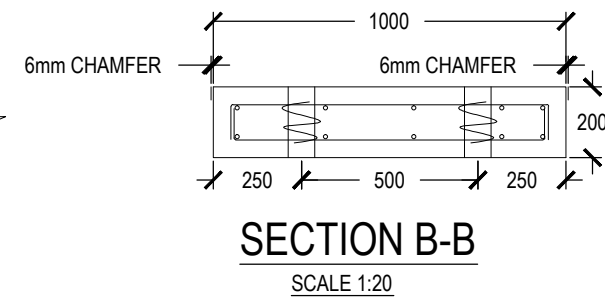
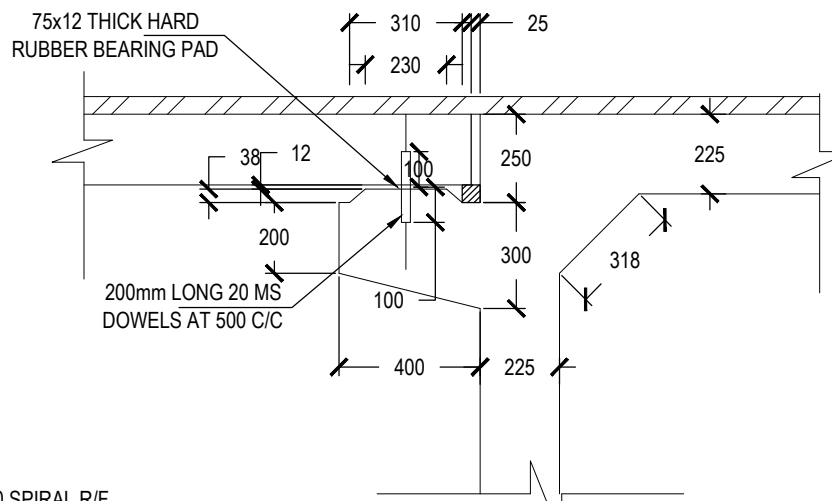
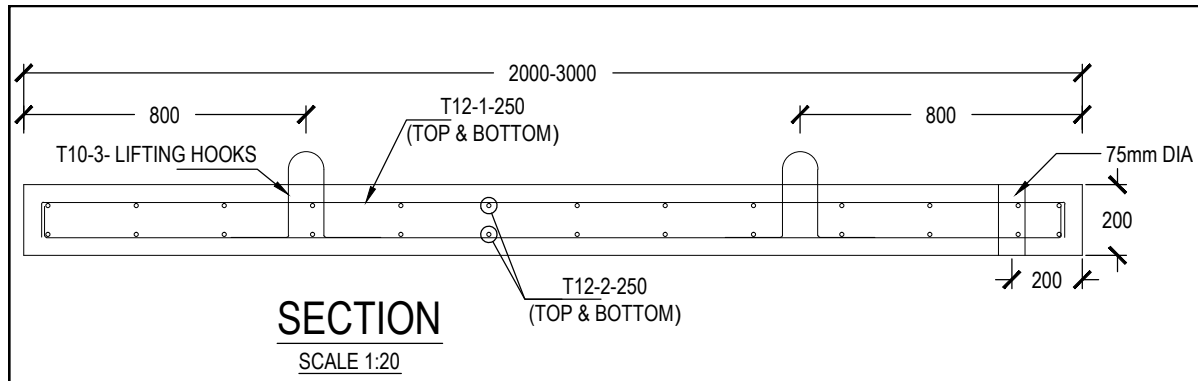
DESIGNED : A.M.C.T.K.ATTANAYAKE
DATE : 2020-JANUARY-14
DRAWN : I.W.N.MADUVANTHI
CHECKED :

ENGINEER - DESIGNS

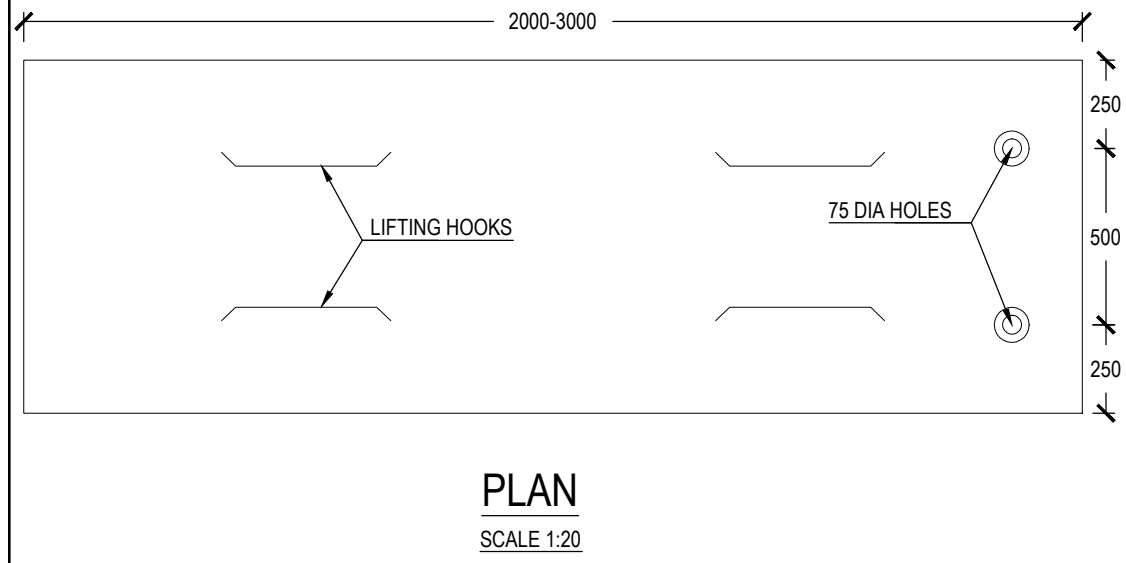
FILE NO BY DATE

DRG. NO. : NCP/STR/NEPH/A.PURA/BOX/18/02 08 SHEET 08 OF 12

PROVINCIAL DIRECTOR N.C.P



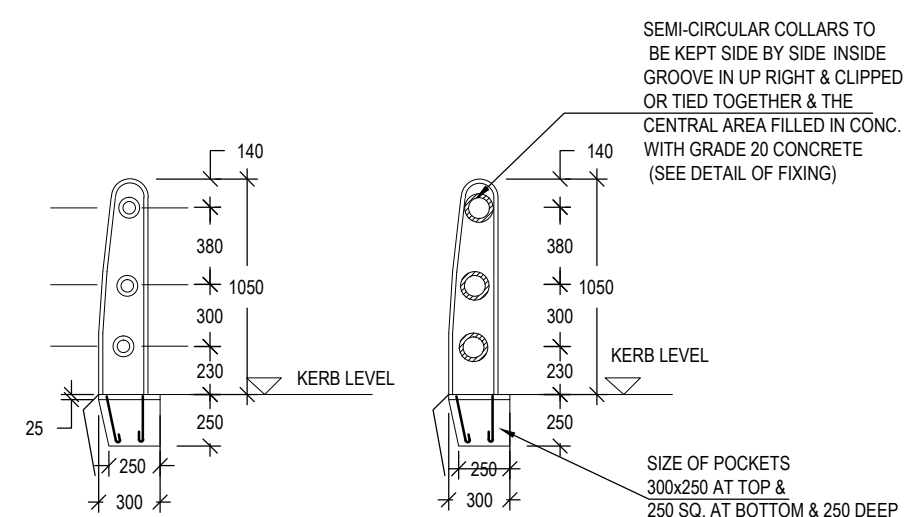
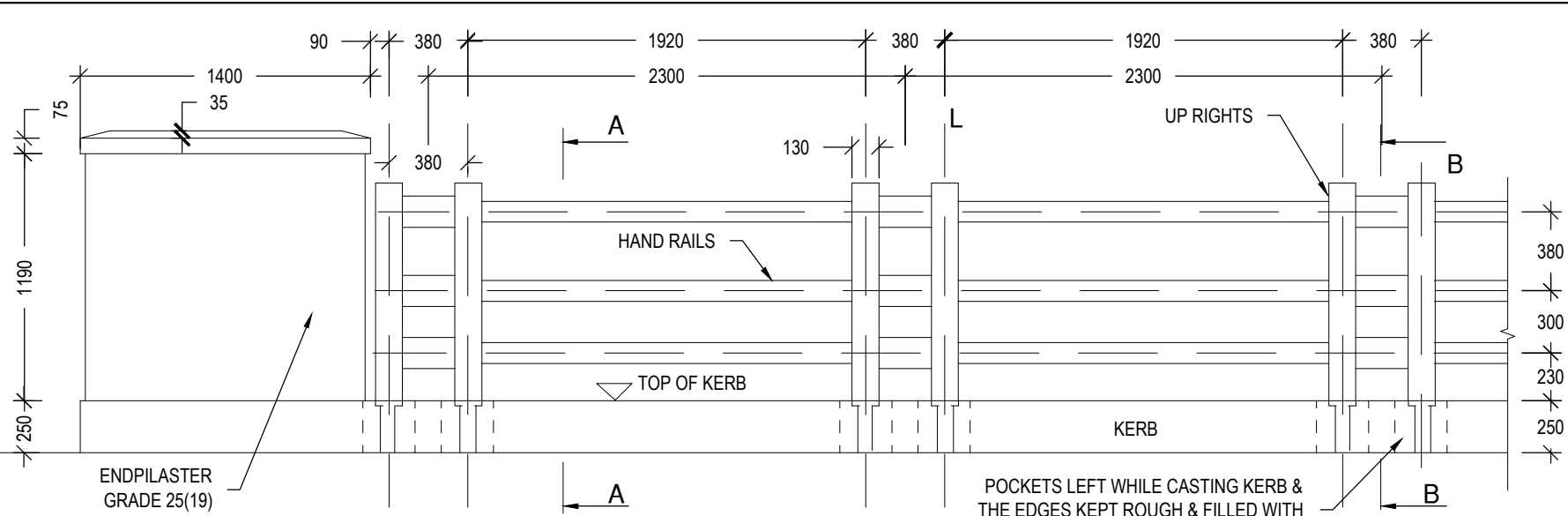
FOR TENDER ISSUE
NOT FOR CONSTRUCTION



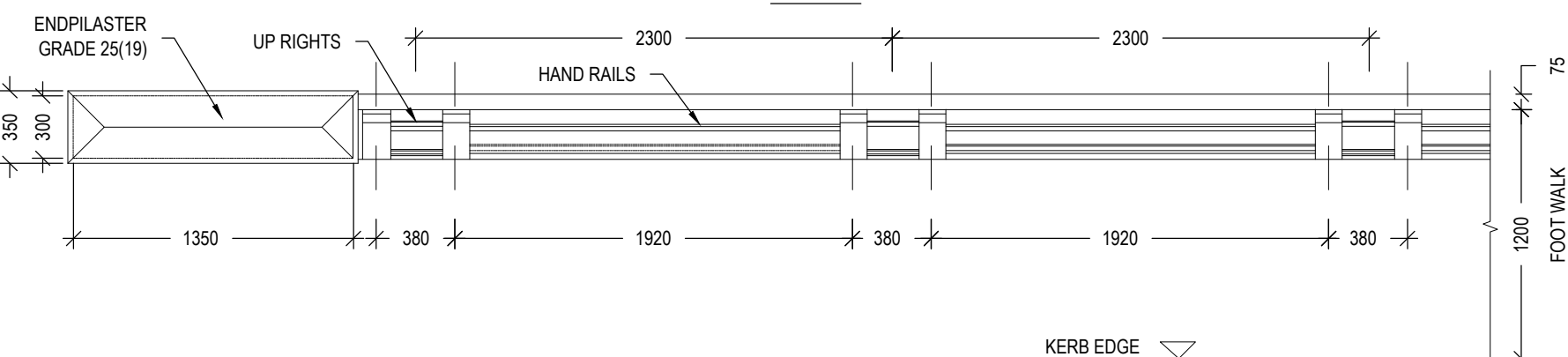
SCHEDULE OF REINFORCEMENT							BENDING	
LOCATION	BAR MARK	TYPE & SIZE	NO IN EACH	LENGTH OF EACH BAR (mm)	TOTAL LENGTH IN mm	WEIGHT IN kg		
	1	T12	10	3100	43.40	39		
TYPE 1	2	T12	26	1100	28.00	26		
L=3000	3	T10	4	950	3.44	3		
	4	R6	2	470	0.94	0.30		

BRIDGE NO : 41/2 KM VAVUNIYA HOROWPATHANA ROAD

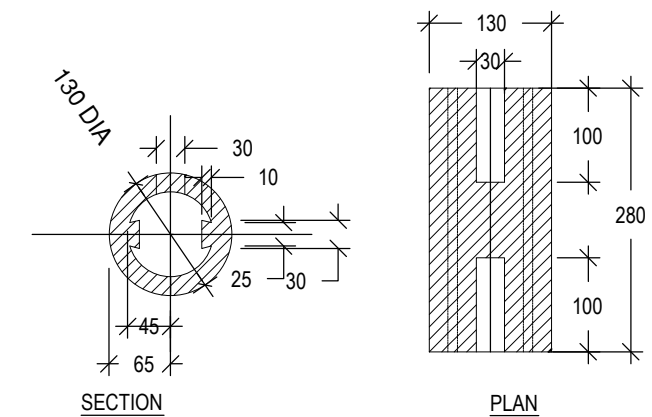
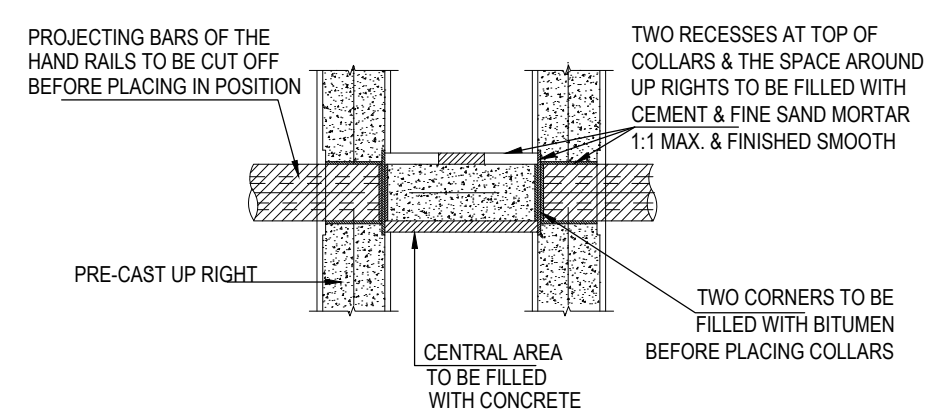
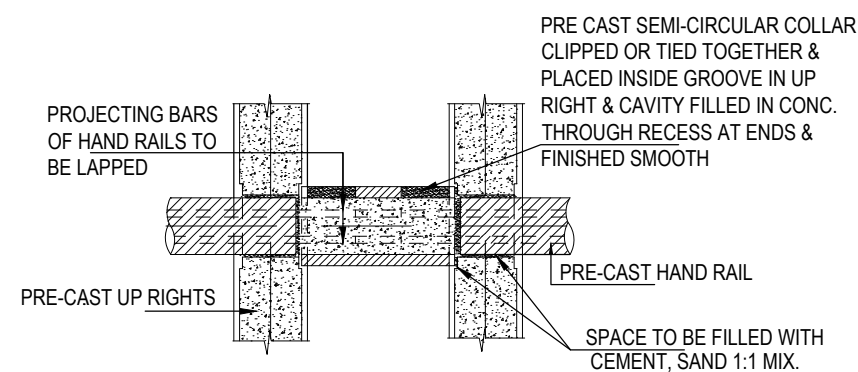
				MINISTRY OF HIGHWAYS - SRI LANKA ROAD DEVELOPMENT AUTHORITY			BRIDGE DESIGNS OFFICE ANURADHAPURA	
				DESIGNED : A.M.C.T.K.ATTANAYAKE	DATE : 2020-JANUARY-14			
				DRAWN : I.W.N.MADUVANTHI		ENGINEER - DESIGNS		
				CHECKED :		PROVINCIAL DIRECTOR N.C.P		
FILE NO		BY	DATE	DRG. NO. : NCP/STR/NEPH/A.PURA/BOX/18/02	09	SHEET 09 OF 12		



- NOTES:**
1. DETAILS OF HAND RAILS AND UP RIGHTS SHALL BE USED FOR ALL BRIDGE TYPES UNLESS OTHERWISE STATED.
 2. ALL DIMENSIONS ARE IN MILLIMETERS UNLESS OTHERWISE NOTED.
 3. CLEAR COVER TO ALL REINFORCEMENT TO BE 25 mm MIN.
 4. REINFORCEMENT SHALL BE TYPE T - HOT ROLLED HIGH YIELD STEEL TO CONFORM BS 4461 WITH MIN $F_y = 460$ N/mm. TYPE R - COLD WORKED MILD STEEL TO BS 4449 WITH MIN. $F_y = 250$ N/mm.
 5. COLLARS TO BE CAST IN 40(12) MAXIMUM AGGREGATE TO BE 12 mm & TO HAVE SMOOTH FINISH.

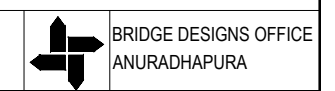


FOR TENDER ISSUE
NOT FOR CONSTRUCTION



BRIDGE NO : 41/2 KM VAVUNIYA HOROWPATHANA ROAD

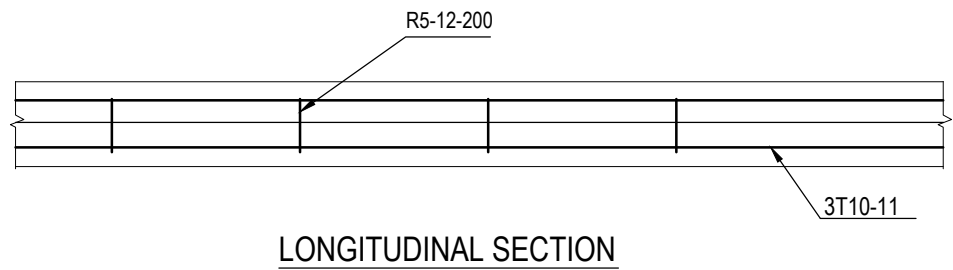
MINISTRY OF HIGHWAYS - SRI LANKA
ROAD DEVELOPMENT AUTHORITY



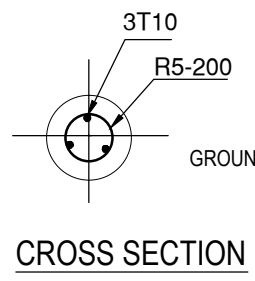
DESIGNED : A.M.C.T.K.ATTANAYAKE DATE : 2020-JANUARY-14
DRAWN : I.W.N.MADUVANTHI
CHECKED :

ENGINEER - DESIGNS

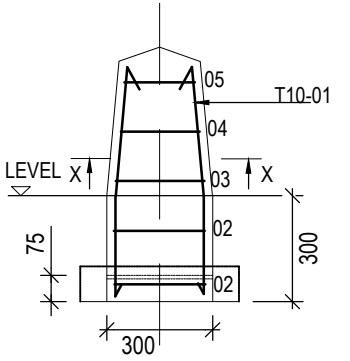
FILE NO BY DATE DRG. NO. : NCP/STR/NEPH/A.PURA/BOX/18/02 10 SHEET 10 OF 12 PROVINCIAL DIRECTOR N.C.P



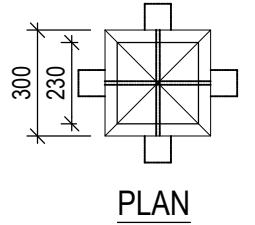
LONGITUDINAL SECTION



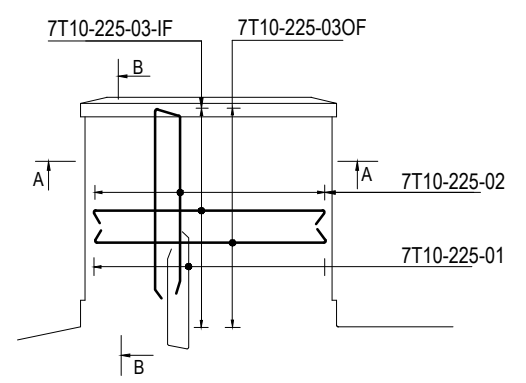
CROSS SECTION



ELEVATION



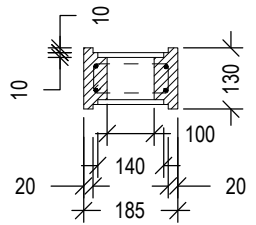
PLAN



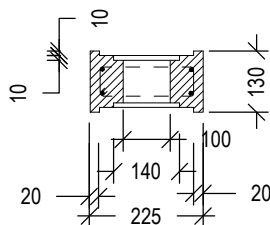
ELEVATION

DETAILS OF PRE-CAST HAND RAIL

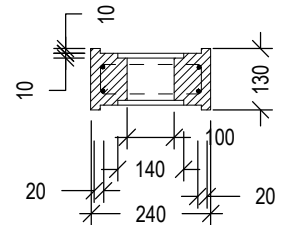
SCALE 1:30



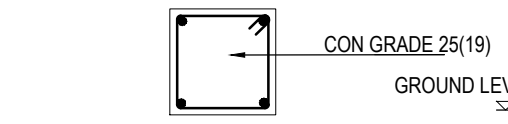
SECTION C-C



SECTION D-D



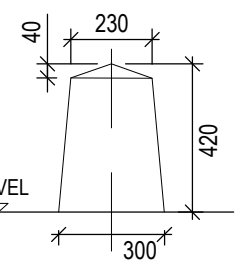
SECTION E-E



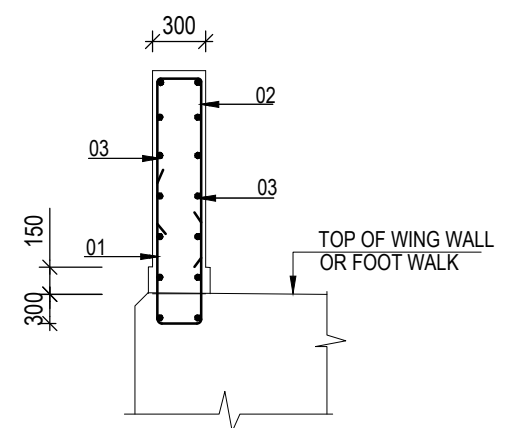
R-F DETAILS OF GURAD STONE

DETAILS OF GUARD STONE

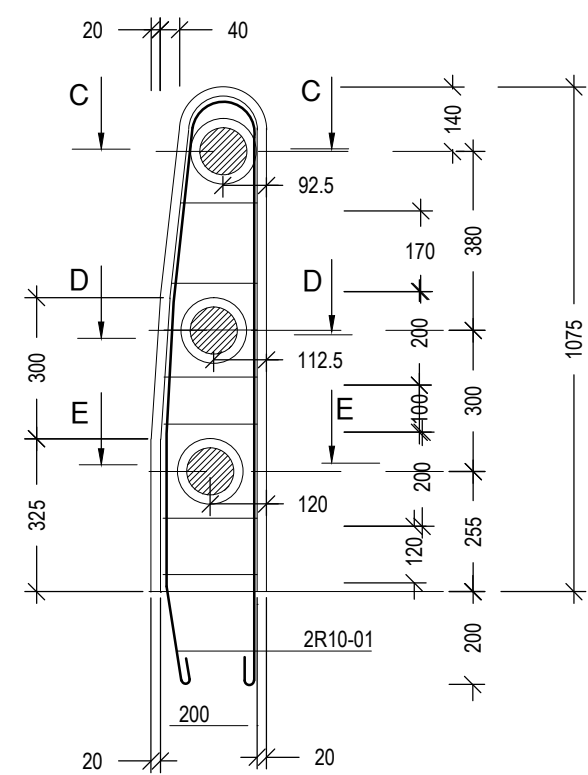
SCALE 1:100



ELEVATION

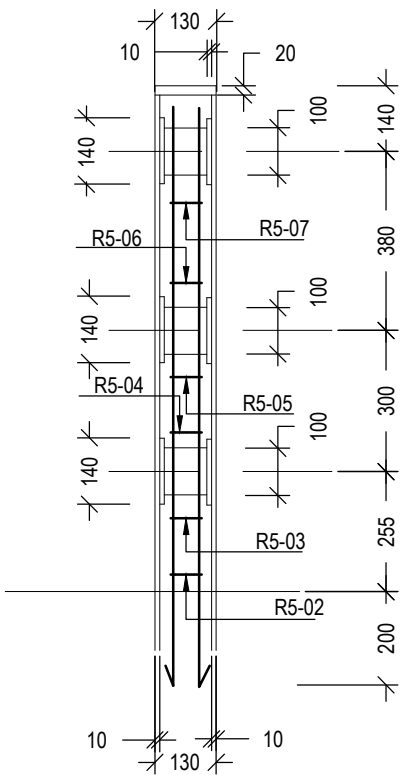


SECTION B-B

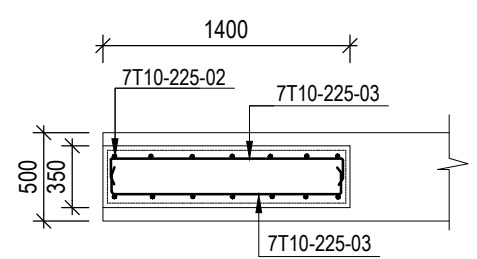


DETAILS OF PRE-CAST UP RIGHTS

SCALE 1:30



REINFORCEMENT SCHEDULE									
MEMBER	BAR MARK	TYPE & SIZE	NO OF MBRS	NO OF BARS IN EACH	TOTAL NO	LENGTH OF EACH BAR	LENGTH OF EACH BAR	SHAPE CODE	BENDING DIMENSIONS IN mm. ACCORDANCE WITH BS 4466
GUARD STONE	01	T10	1	4	4	800	99	01	= 260 300 30
	02	R6	1	2	2	1110	60	02	240 240
	03	R6	1	1	1	1070	60	03	230 230
	04	R6	1	1	1	950	60	04	200 200
	05	R6	1	1	1	830	60	05	170 170
PILASTER	01	T10	1	7	7	1800	01	01	800 250 800
	02	T10	1	7	7	2500	02	02	1150 250 1150
	03	T10	1	10	16	1725	03	03	230 1300 230



SECTION A-A

R-F DETAILS OF END PILLASTER

SCALE 1:100

FOR TENDER ISSUE
NOT FOR CONSTRUCTION

NOTES:

- PILASTERS DETAIL IS APPLICABLE FOR PILASTERS BUILT UP ON TOP OF WINGWALL OR CONCRETE FOOT WALK ONLY.
- CLEAR COVER TO ALL REINFORCEMENT TO BE 25 mm MIN

BRIDGE NO : 41/2 KM VAVUNIYA HOROWPATHANA ROAD

MINISTRY OF HIGHWAYS - SRI LANKA
ROAD DEVELOPMENT AUTHORITY

BRIDGE DESIGNS OFFICE
ANURADHAPURA

DESIGNED : A.M.C.T.K.ATTANAYAKE DATE : 2020-JANUARY-14
DRAWN : I.W.N.MADUVANTHI
CHECKED : ENGINEER - DESIGNS
DRG. NO. : NCP/STR/NEPH/A.PURA/BOX/18/02 11 SHEET 11 OF 12

PROVINCIAL DIRECTOR N.C.P

FILE NO BY DATE

LOCATION	MARK	TYPE & SIZE	NO. OF. BAR IN EACH	NO. OF. MEMBERS	TOTAL NO	CUT LENGTH (mm)	SHAPE
BASE SLAB	01	T12	93	01	93	11367	
	02	T12	93	01	93	11367	
	03	T16	89	01	89	11995	
	04	T12	111	01	111	11995	
WALLS	05	T12	104	08	832	1737	
	06	T12	04	08	32	11367	
	07	T12	83	02	166	2557	
	08	T12	12	02	24	11367	
	09	T12	83	02	166	4155	
	10	T12	12	01	12	11367	
	11	T12	12	01	12	11367	
	12	T12	73	01	73	11367	
	13	T16	83	01	83	9350	
	14	T16	83	01	83	15020	
	15	T12	73	01	73	11367	
WING WALL	16	T10	30	04	120	1850	
	17	T10	11	04	44	4750	
COBLE	18	R6	74	02	148	350	
	19	T10	02	02	04	7300	
	20	T10	74	02	148	1885	
	21	T10	05	02	10	7300	
FOOT WALK	22	T10	05	02	10	11167	
	23	T10	35	02	70	1916	
	24	T10	02	02	04	10300	
	25	T10	35	02	70	1365	
	DROP WALL	26	T12	08	02	16	11167
27		T12	70	02	140	3610	

NOTE:
THIS SCHEDULE IS INDICATIVE ONLY. THE CONTRACTOR SHALL BE RESPONSIBLE FOR PRODUCING HIS OWN SCHEDULE

FOR TENDER ISSUE
NOT FOR CONSTRUCTION

GENERAL NOTES

- THIS DRAWING TO BE READ IN CONJUNCTION WITH STANDARD SPECIFICATIONS FOR CONSTRUCTIONS AND MAINTENANCE OF ROADS AND BRIDGES.
- DIMENSIONS SHALL NOT BE OBTAINED BY SCALING
- ANY DISCREPANCIES IN THE CONTRACT DRAWINGS SHALL BE REFERRED TO THE ENGINEER FOR REVISIONS BEFORE PROCEEDING WITH WORK.
- ANY SETTING OUT DIMENSIONS SHOWN ON DRAWING SHALL BE VERIFIED.
- ALL WORKMANSHIP AND MATERIALS ARE TO BE IN ACCORDANCE WITH THE REQUIREMENTS OF THE SPECIFICATION AND BY LAWS OF THE CLIENT.
- WING WALL LENGTHS ARE TO BE ADJUSTED AT SITE TO SUIT THE VARIATION IN SITE CONDITION DURING CONSTRUCTION.
- ADDITIONAL WEEP HOLES ARE TO BE PROVIDED IF NECESSARY TO SUIT SITE CONDITION.
- DEPTH OF ABC FILLING MAY CHANGE ACCORDING TO THE GROUND CONDITION.
- SETTING OUT OF BRIDGE AND APPROACHES TO BE DONE SIMULTANEOUSLY AND SHALL BE REFERRED TO THE ENGINEER PRIOR TO FOUNDATION EXCAVATION.
- ALL DIMENSIONS ARE IN MILLIMETERS UNLESS OTHERWISE STATED.

NOTES: REINFORCEMENT.

- ALL BARS MARKED 'R' SHALL BE HOT ROLLED MILD STEEL PLAIN BARS OF YIELD STRENGTH NOT LESS THAN 250N/MM².
- ALL BARS MARKED 'T' SHALL BE HIGH YIELD BE FORMED BARS OF YIELD STRENGTH NOT LESS THAN 460N/MM².
- THE BARS SHALL BE BENT AND HOOKS IN ACCORDANCE WITH THE BS 4466:1999
- BARS OF CUT LENGTH LARGER THAN THE SUPPLIED LENGTH SHOULD BE SPLICED WITH A LAP LENGTH = 55XBAR DIA. AND SPLICING SHOULD BE STAGGERED.
- CLEAR CONCRETE COVER FOR REINFORCEMENT (OUTSIDE OF STIRRUP OR TIES) SHALL BE:-
 - BASE SLAB ----- 75mm. (NOT FORMED)
 - WALL & WING WALLS ----- 50mm. (FORMED & EXPOSED)
 - DECK SLAB ----- 50mm. (FORMED & EXPOSED)
- TYPE OF FORM WORK FOR FOUNDATION SLAB - ROUGH.
ALL OTHER CONCRETE WORKS WROUGHT.

GRADES OF CONCRETE.

- | | |
|---|----------------|
| 01. FOOT WALK ON DECK | GRADE 25(19) |
| 02. R.C COVER SLAB | GRADE 25(19) |
| 03. CONCRETE FOR WALLS AND WING WALLS | GRADE 30(19) |
| 04. CONCRETE FOR BASE SLAB AND DECK SLAB | GRADE 30(19) |
| 05. SCREED UNDER FOUNDATION | GRADE 15(37.5) |
| 06. CONCRETE FOR CORBEL | GRADE 30(19) |
| 08. CONCRETE FOR END PILASTER | GRADE 30(19) |
| 09. NECESSARY APPROVAL SHOULD BE OBTAINED FROM THE CLIENT FOR REINFORCEMENT | |
| 10. DO NOT USE LIME CEMENT FOR CONSTRUCTION | |

BRIDGE NO : 41/2 KM VAVUNIYA HOROWPATHANA ROAD

MINISTRY OF HIGHWAYS - SRI LANKA
ROAD DEVELOPMENT AUTHORITY

BRIDGE DESIGNS OFFICE
ANURADHAPURA

DESIGNED : A.M.C.T.K.ATTANAYAKE DATE : 2020-JANUARY-14

DRAWN : I.W.N.MADUVANTHI

CHECKED : ENGINEER - DESIGNS

FILE NO BY DATE DRG. NO. : NCP/STR/NEPH/A.PURA/BOX/18/02 12 SHEET 12 OF 12 PROVINCIAL DIRECTOR N.C.P